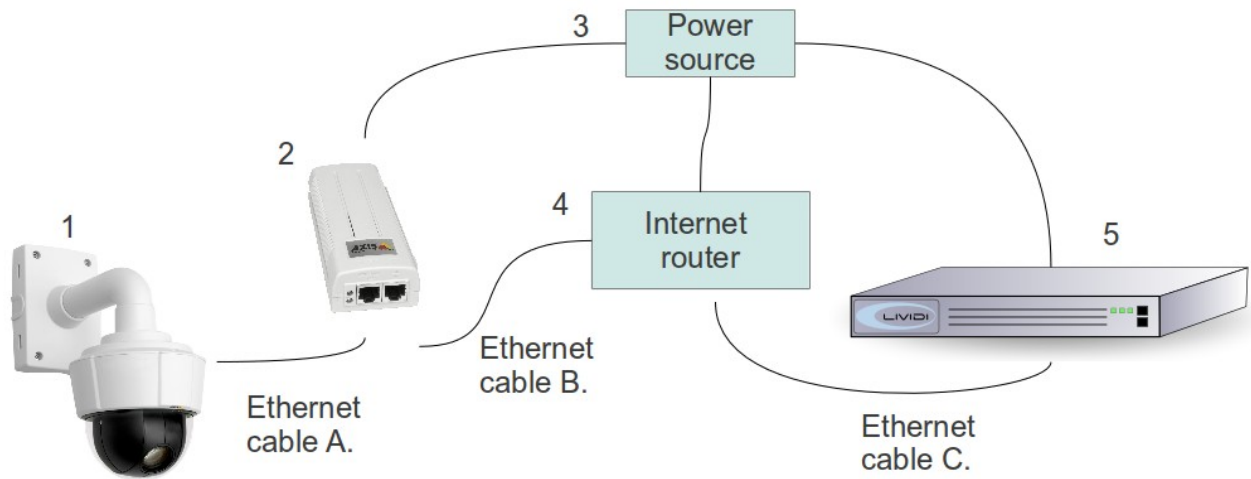


Equi-stream data sheet



Component	Description	Delivered by
1) Camera with wall mount		Lividi
2) PoE adapter		Lividi
3) Power source		Available at installation location
4) Internet router / modem	- Router with minimum 2 ports	Internet service provider
5) PC	- PC with Equi-stream software - PC power adapter	Lividi
Ethernet cables	- Cables as depicted on the figure	Lividi

Specifications:

- Ethernet cable A + Ethernet cable B: maximum 100m.
- Ethernet cable C: maximum 100m.
- Router (4) and PC (5) should be located in indoor environment.